

# NEUTRONE®

## Semi Open Impeller Stainless Steel Pump

### CLL Series Stainless Steel Pump

**CLL** pumps combine the advantages of open impeller with SS304 stainless steel construction, which is particularly suited for handling moderately aggressive liquids with suspended solids.

#### APPLICATIONS

- \* Industrial circulation systems.
- \* Food industrial systems.
- \* Industrial washing.
- \* Cold & hot water boosting.

#### MATERIALS

- \* Pump casing - SUS 304
- \* Back cover - SUS 304
- \* Impeller - SUS 304
- \* Shaft - SUS 304
- \* Motor casing - Aluminium alloy

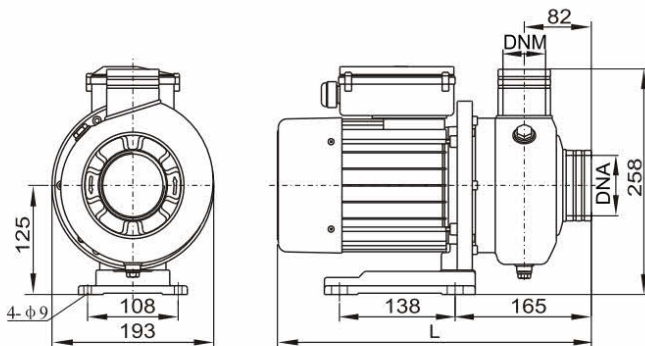


#### SPECIFICATIONS

- \* Open impeller handles solids up to **19 mm**.
- \* Max delivery up to **1100 L/Min**.
- \* Max head up to **18 meter**.
- \* Max operating pressure up to **8 Bar**.
- \* With TEFC continuous duty motor.
- \* Max temperature **80 °C**.
- \* **Class F** insulation.
- \* **IP 55** protection.

Water test temperature: 20°C, performance limits:ISO2548C specifications for standard class C pumps.

Model		Power		Capacity									
				n=2900rpm									
Single phase 230V/50HZ	Three phase 415V/50HZ	kW	HP	m <sup>3</sup> /h	6	12	18	24	33	42	48	57	66
				l/min	100	200	300	400	550	700	800	950	1100
				Head (m)									
<b>CLL-200M</b>	<b>CLL-200</b>	1.5	2.0		12.7	12	11.2	10	8.3	6.5			
--	<b>CLL-300</b>	2.2	3.0		15	14	13.5	12.7	11.2	9.8	8.9	7.5	
--	<b>CLL-400</b>	3.0	4.0		17.5	16.8	16	15.2	14	12.5	11.5	9.7	7.5



Model	L	DNA
<b>CLL-200</b>	378	G2"
<b>CLL-300</b>	415	G2-1/2"
<b>CLL-400</b>	432	G2-1/2"