

***NEUTRONE® SIDE ENTRY MIXER  
N5SE SERIES***

## INDUSTRY & APPLICATIONS

All side-entry mixer applications require high flow efficiency in order to meet one or more of the following criteria:

- Blending components
- Homogenizing (preventing stratification)
- Preventing the build-up of solids and heat transfer

Oil & Gas

: Crude Storage, Bottom Sludge and Water Control  
Crude Oil / Petroleum Product Blending  
Maintaining temperature Uniformity / Homogeneity

Edible Oil

: Tank Bottom Sludge Control  
Maintain "Foods" (Seeds / Husks) in Suspension  
Blending / Temperature Uniformity / Stratification Prevention

Pulp & Paper

: Reduced Bottom Storage Towers and Blow Tanks  
Couch and Press Pit Pulpers  
High Density Down Flow Bleach Towers

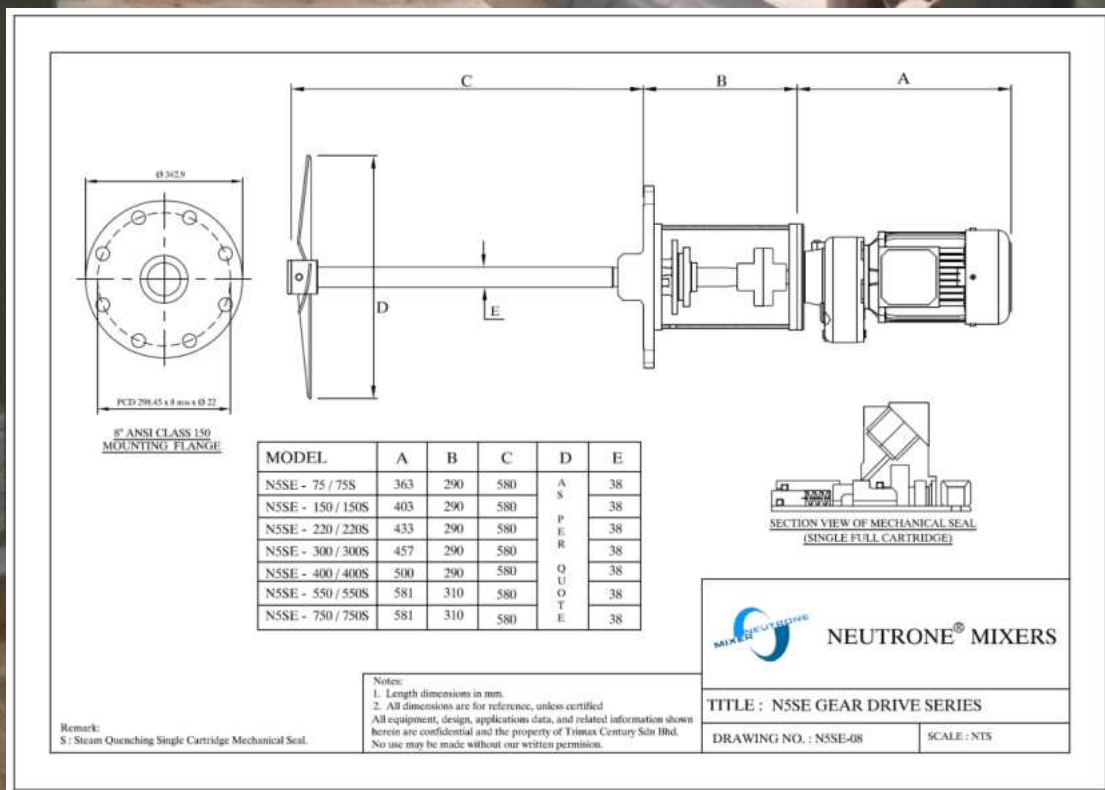
Chemical

: Combine Additives and Achieve Uniformity

Waste Treatment

: Sludge Holding Tanks

Therefore, **NEUTRONE® SIDE ENTRY MIXERS, N5SE** series have a range of gear driven side-entry mixers from **0.75kW to 7.5kW** which will suit all required permutations.



**NEUTRONE® UNIQUE SHUT OFF DEVICE  
WITHOUT DISMANTLE GEARED MOTOR  
FOR THE REPLACEMENT/REPAIRING OF  
THE SINGLE FULL CARTRIDGE  
MECHANICAL SEAL**



## **OUR ORGANIZATION**

### **AFTER SALES & SERVICES**

Our support service teams are readily available to support your process equipment at all times. Genuine spare & service solutions can be obtained from **TRIMAX CENTURY SDN BHD** and to ensure the operating capacity value of our **NEUTRONE® SIDE ENTRY MIXERS**.

### **GUARANTEE**

All our products are built and designed to meet customer requirement and we provide warranty periods that are appropriate for the specific industries where our **NEUTRONE® SIDE ENTRY MIXERS** were installed or located.

### **QUALITY**

**TRIMAX CENTURY SDN BHD** recognized that our customer demand on high quality product manufactured and serviced in timely and efficient manner. Working within the process industries, we are aware of the specific demands for the quality standard.

### **YOUR LOCAL DISTRIBUTOR**

